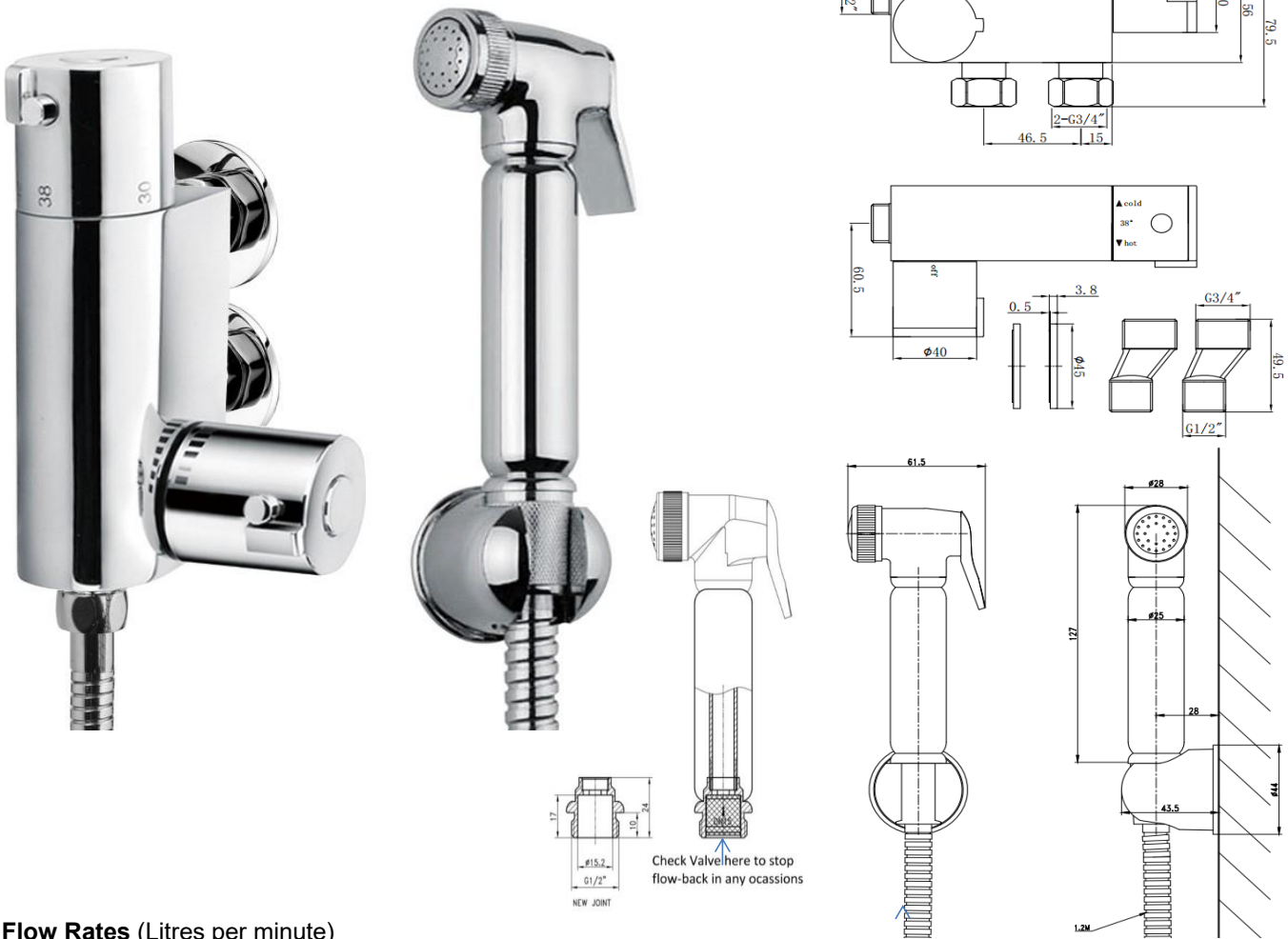


TECHNICAL DATA SHEET

AVDC82 Shattaf Douche With Mini Thermostatic Valve

Barcode	7081246041371
Product Code	AVDC82
Construction	Brass Body (CuZn40Pb2), EN CW617N (equivalent to BS CZ122); ABS Handles
Finishes	Chrome plated to BS EN 248
Product Type	Contemporary
Water Pressure	Min. 0.2 bar, Max. 5.0 bar
Plumbing Systems	Suitable for all plumbing systems, Hot and Cold water pressure preferably balanced Max. supply pressure differential requirement no greater than 5:1
Check valve	0.5-10 gpm, DN15
Cartridge	Thermostatic and ceramic disc valve; push valve for handset
Fitting	Metal S-Union connectors (Male thread offset 1/2 inch x 3/4" BSP with Escutcheon) Valve: Two G3/4" BSP Female thread (inlet) and G1/2" BSP Female thread (outlet); Douche/ Handset: G1/2" BSP Female thread
Packaging	42.5 x 28 x 55cm / carton (10 boxes), Dimension: 20 x 26 x 5cm / box; Weight: 2.10Kg / box
Guarantee	1 years against manufacturing faults (excluding serviceable parts)
Additional Information	Chrome Stainless steel 1.20m hose & Zinc-alloy Wall bracket



Flow Rates (Litres per minute)

System Pressure	0.1 Bar	0.2 Bar	0.3 Bar	0.5 Bar	1.0 Bar	1.5 Bar	2.0 Bar	3.0 Bar	4.0 Bar	5.0 Bar
AVDC82	3.1	4.3	5.1	6.4	9.0	11.1	12.9	16.1	18.5	20.7

The information contained on this page was correct at date of issue. Fitting dimensions are provided as a guide only. Some variation may occur due to manufacturing tolerances. We pursue a policy of continuing improvement in design and performance of our products and so reserve the right to change specifications without prior notice.