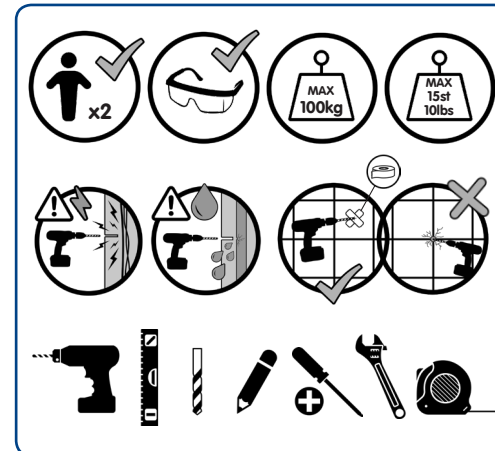
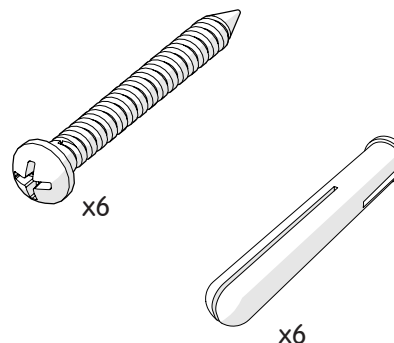


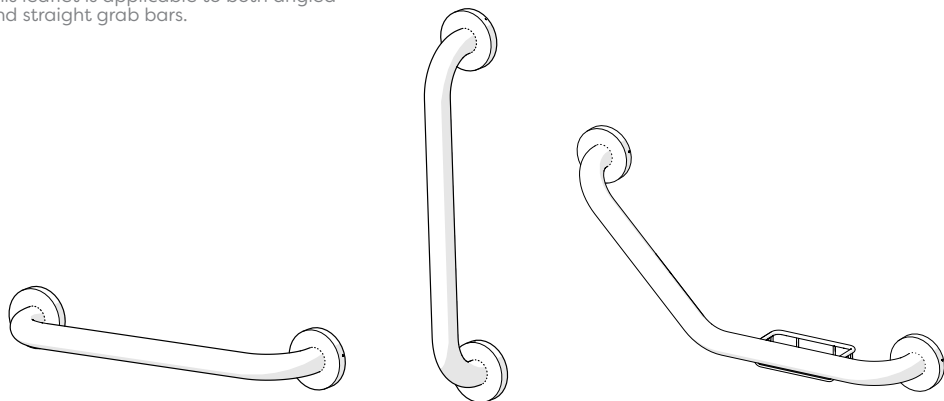
## SAFETY & CARE

1. Always take care when using power tools, particularly if there is any water in the working area.
2. For different wall types you will need to ensure that you are using the correct type of fixing for the material of the wall. Wall fixings are not supplied with this product.
3. This product must only be fitted to solid brick, concrete block walls or similarly strong materials offering appropriate support for the maximum safe working load.
4. When drilling into a tiled surface do not use a hammer drill.
5. Always use a drill bit that is suitable for the surface that is being drilled.
6. To retain the best quality finish, clean product regularly with a soft damp cloth.
7. Do not use abrasive or chemical cleaners, as these will damage the product.
8. The maximum safe working load for the product is 100kg distributed evenly.

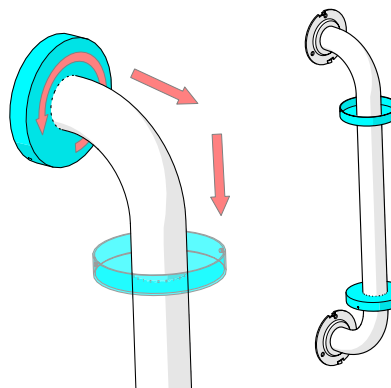
## FITTING PACK NOT SUPPLIED



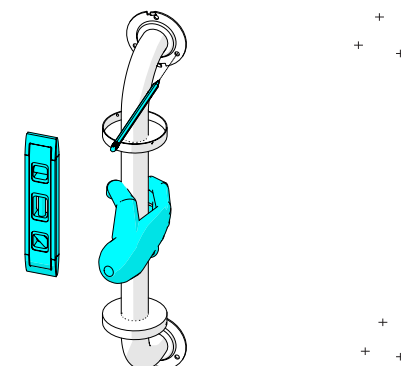
This leaflet is applicable to both angled and straight grab bars.



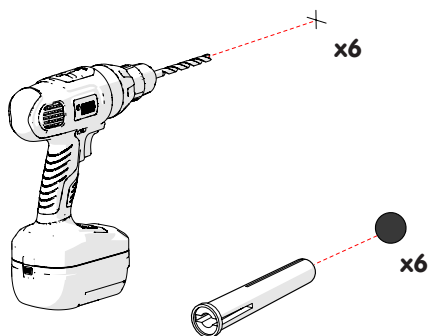
- 1 Twist to release the covers from the wall brackets.



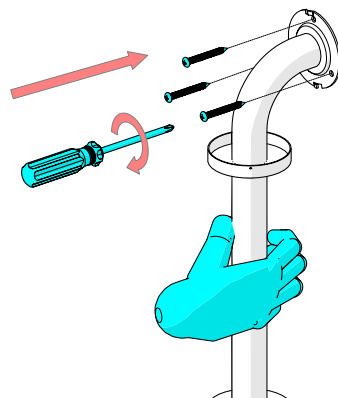
- 2 Hold the grab bar in position, ensure it is level and mark 6 screw holes using the grab bar brackets as a guide.



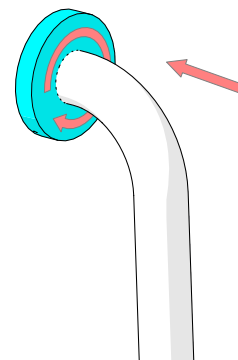
- 3 Use a drill to create 6 screw holes where you have marked and insert a wall plug into each.



- 4 Secure the grab bar against the wall using suitable screw fixings.



- 5 Re-attach the covers by pushing on and twisting to secure. Test before use.



**Croydex**  
THINK BATHROOMS